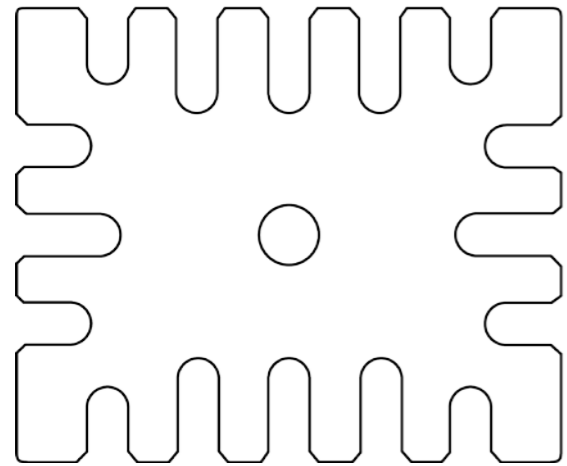




# PEDESTALS

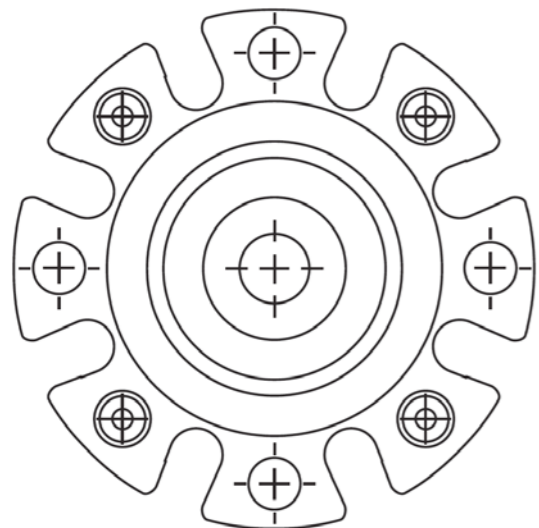
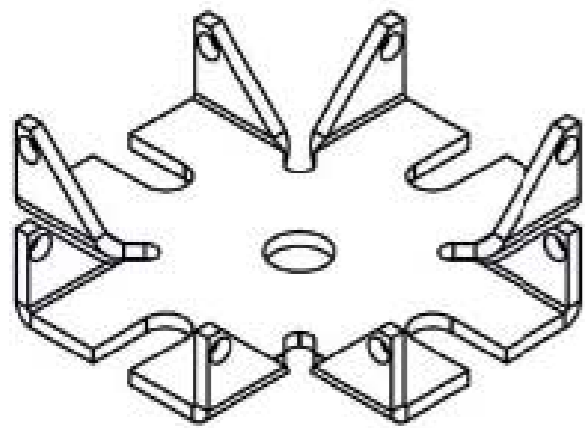


# PEDESTALS

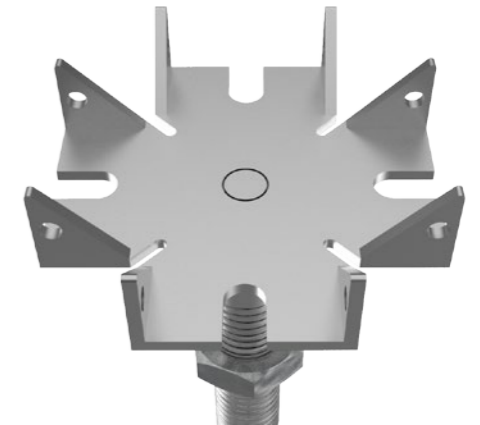
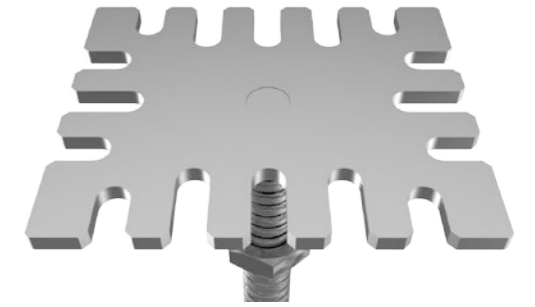


All Weiss raised floor pedestals are made from galvanized, blue passivated steel.

The range covers small pedestals to compensate for irregularities in hollow floor systems through to customized heavy-duty pedestals in a wide variety of lengths.



# M20 (SOCKET PEDESTAL)



The M20 pedestal is available in a standard version with a 24 x 2 mm leg or a heavy-duty version with a 26 x 3 mm leg.

During installation, the pedestal is inserted into the leg and then the height is adjusted with a nut.

As the M20 pedestal comes in different variants depending on the application and load requirements, it is ideally suited for use in high raised floor installations where large load-bearing capacities are required.



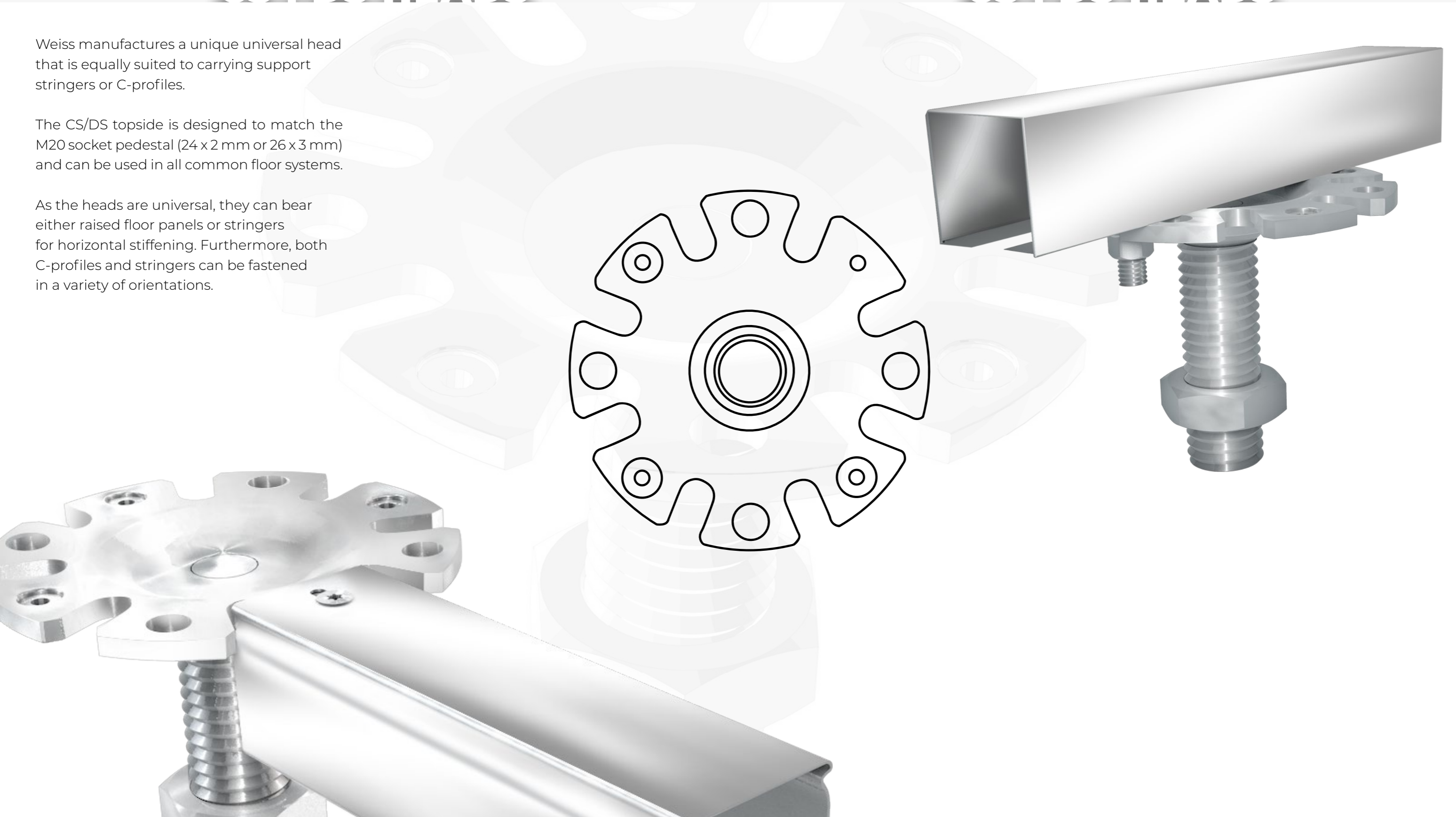
# CS | DS HEADS

Weiss manufactures a unique universal head that is equally suited to carrying support stringers or C-profiles.

The CS/DS topside is designed to match the M20 socket pedestal (24 x 2 mm or 26 x 3 mm) and can be used in all common floor systems.

As the heads are universal, they can bear either raised floor panels or stringers for horizontal stiffening. Furthermore, both C-profiles and stringers can be fastened in a variety of orientations.

# CS | DS HEADS



# CF | DF HEADS

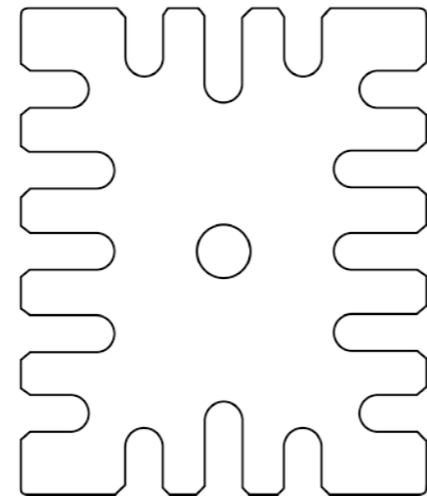
The CF/DF topside fits perfectly with existing edges, and is therefore often used in switch room pedestals when building the framework. It can be used with a 24 x 2 mm or 26 x 3 mm leg.

The flat head panel makes it the ideal design for creating frameworks that will carry heavy UPS systems, server racks, transformer stations, etc. All common C-profiles can be screwed onto the frame head.

If the CF/DF head is rotated laterally, it has numerous slits and screw options, while in its longitudinal configuration it fits closely with existing walls. It can be configured for 100 mm or 120 mm as required.

This makes it the perfect head for laying reserve panels or transitions in walkways and frame areas.

The CF/DF topside comes with the 120 mm bolt as standard. However, it is equally possible to use the 100 mm bolt. It is also possible to assemble up to three profiles next to each other.



# CW | DW HEADS



The claw head CW/DW topside is primarily used in switch room profile systems.

The installation can use either the 24 x 2 mm pedestals or the 26 x 3 mm.

The claw head is not only ideal for laying swathes of switch gear station floors (i.e. Creating walkways). It is perfect for fitting all available C-profiles.

## M16 SCREW PEDESTAL

The M16 pedestal base has a 22 x 1.8 mm leg with a threaded socket, and the selected pedestal head is screwed onto the pedestal itself.

Screw pedestals are especially suited to installations with restricted heights or low load-bearing capacity, where they offer an ideal balance between economy and functionality.



## M12 SCREW PEDESTAL



Small base plate - large head plate for an optimal and economic installation of hollow floor systems in wet or dry version.

The M12 pedestal with a 14 x 1.1 mm leg has a threaded socket, so that the respective head can be screwed to the pedestal base.

Weiss Doppelbodensysteme GmbH  
Im Winkel 4  
74589 Satteldorf  
+49 7951 317 92 - 00

Email: [info@weiss-dbs.de](mailto:info@weiss-dbs.de)  
Web: [www.weiss-dbs.de](http://www.weiss-dbs.de)

