

# **RAISED FLOOR WITH C-PROFILE**



# Raised floor with c-profile



Raised floor systems with c-profiles are used in technical rooms such as server rooms, switching rooms and in areas with increased load requirements.

The substructure is made of corrosion resistant steel pedestals, which can be adjusted accurate in height. C-profiles are laid on these pedestals, which are screwed to the pedestal heads with hammer head screws according to VDE 0100. Due to the screw connection, the construction can be adapted, expanded or dismantled and rebuilt when needed. This type of construction does not have to be welded. A big advantage of this design is the fast implementation possibility.

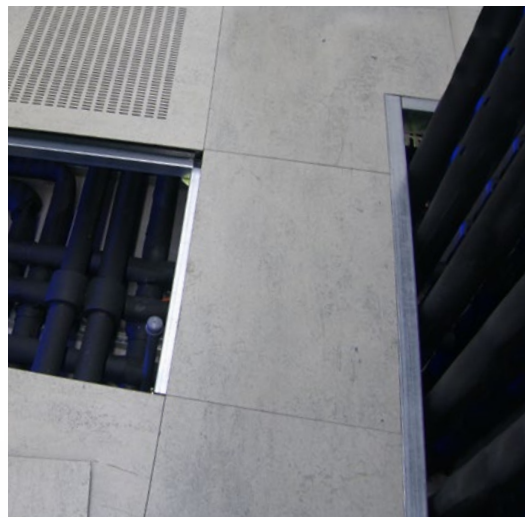
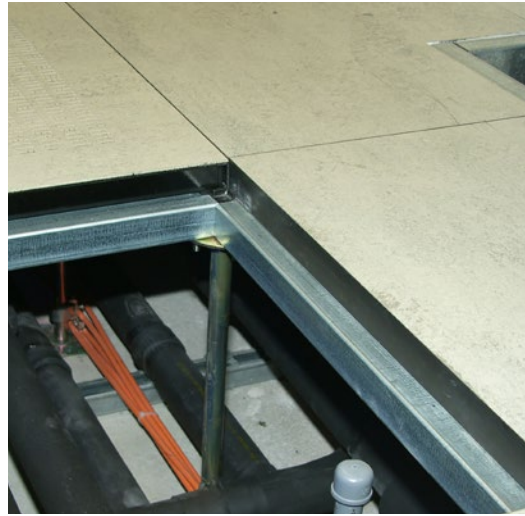
**By combining c-profiles with a different height (for example 40 and 80 mm), a frame for devices, such as control cabinets or climate chambers, can be built. The frame is plane with the walkway.**

As the construction remains horizontally and vertically stable, even when the floor is open, the area under the cabinets can be left open and be used directly for cable or air supply.

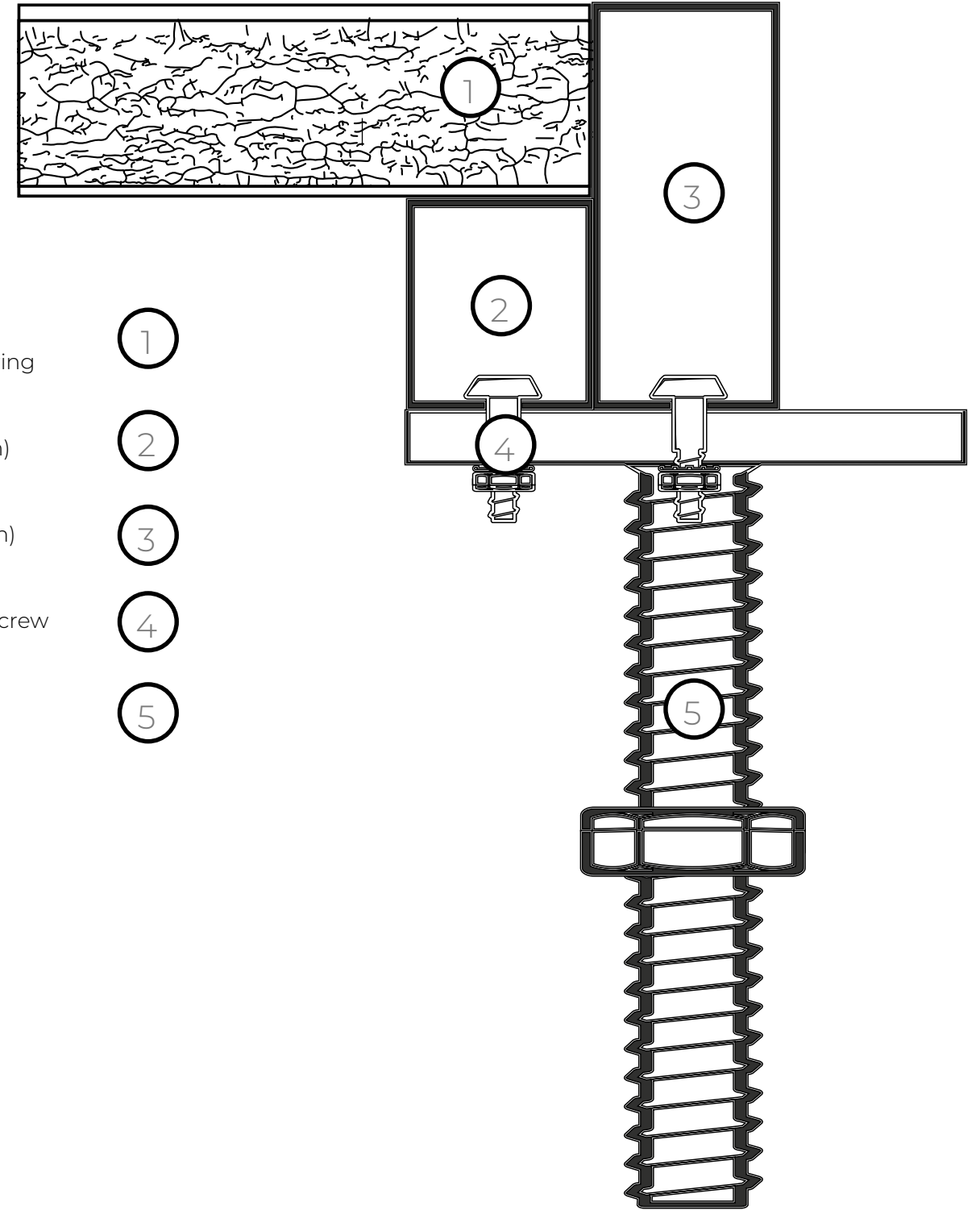
For future extensions, reserve fields can already be created during the initial installation and be closed temporarily with raised floor panels.

By using thicker c-profiles raised floor systems with c-profiles are also suitable for extreme point loads of more than 20 kN.





# CONSTRUCTION



- Panel with covering (1)
- C-Profile (40mm) (2)
- C-Profile (80 mm) (3)
- Hammer head screw (4)
- Pedestal head (5)

# PEDESTALS

# C-PROFILE

Pedestal tube  
24 mm x 2 mm

Pedestal tube  
26 mm x 3 mm

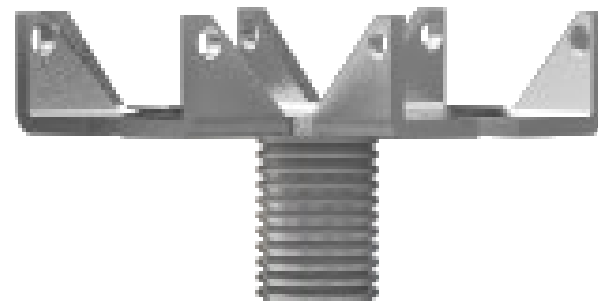
CS

DS



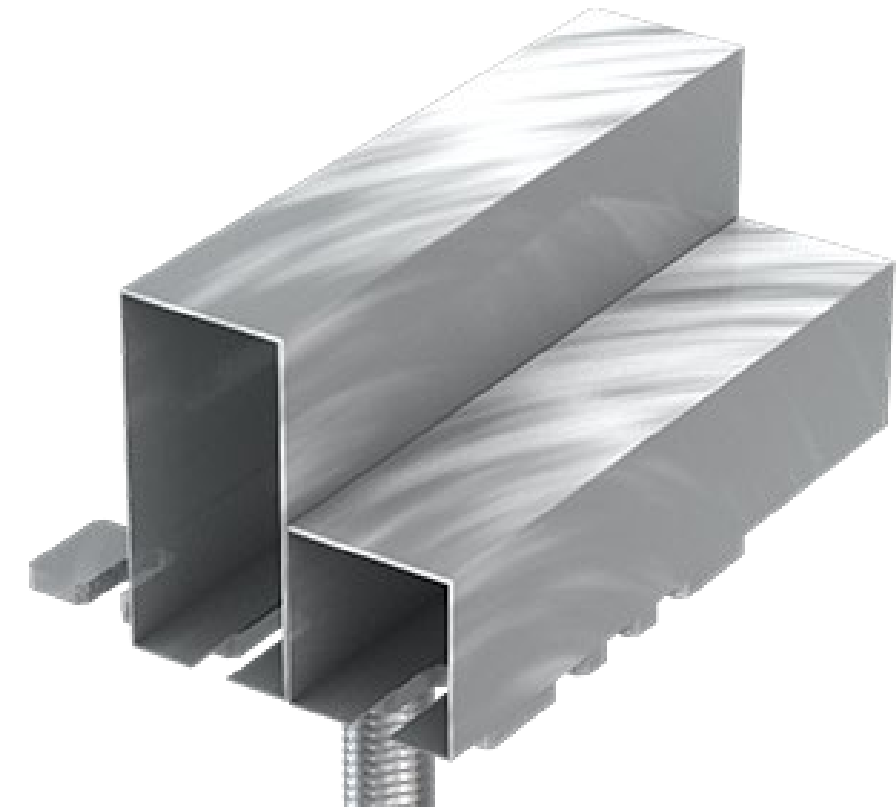
CW

DW



CF

DF



C Profiles are available in all usual dimensions. i. E.  
C-40, C-65, C-80, C-82, C-115, C-120.

The standard thicknesses of the material are 1.5 or 2 mm. For special demands the thickness can be increased to 3 till 5 mm.

Standard lengths are 2,400 mm and 558 mm.  
Profiles of 6 m or special lengths are available on demand.

Weiss Doppelbodensysteme GmbH  
Im Winkel 4  
74589 Satteldorf  
+49 7951 317 92 - 00

Email: [info@weiss-dbs.de](mailto:info@weiss-dbs.de)  
Web: [www.weiss-dbs.de](http://www.weiss-dbs.de)

